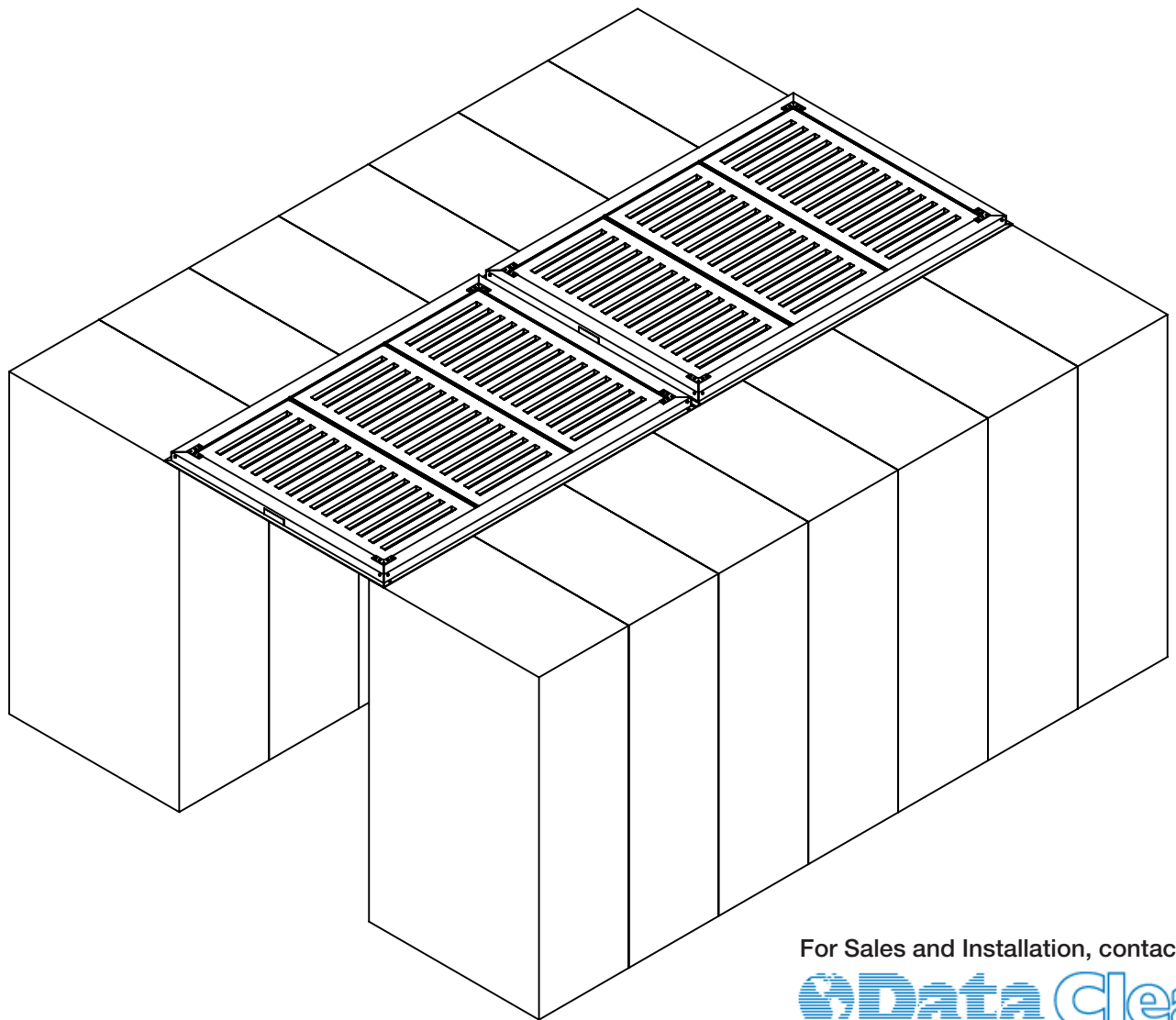




ROOF SYSTEMS
Polar Roof

Install/User Guide



For Sales and Installation, contact:

 **Data Clean**[®]

(800) 328-2256 • www.dataclean.com



Table of Contents

Safety Information	3
Warranty	3
Pre-Assembly	4
Planning Assembly	4
Tools Required	4
Hardware Included	4
Package Contents	5
Assembly	6
Cleaning	8

Safety Information

- While unpacking use caution with sharp objects such as razors to avoid damaging the product.
- A minimum of two people should be available to install this product.
- While drilling or using power tools safety glasses and gloves should be worn to avoid injury.

1 Year Limited Warranty

Subzero Engineering warrants to the original purchaser that it will, as its sole option, repair or replace this product or any part of this product, if it confirms that the product is defective in materials or workmanship under normal use and maintenance for one year after the purchase date of the product.

This limited 1 (one) year warranty DOES NOT COVER the following:

1. Defects or damage arising from shipping, installation, alterations, accidents, abuse, misuse, lack of proper maintenance and use of other than genuine Subzero replacement parts, in all cases whether caused by a contractor, service company, the owner or any other person.
2. Deterioration through normal wear and tear.
3. Damages resulting from abuse or misuse from failure to install or maintain this product in accordance with the written instructions furnished by Subzero Engineering.
4. Use of Cleaning Products Containing Calcium Hypo Chlorite (Chlorine), Scouring Powders or pads shall not be covered.
5. Expense of normal maintenance.
6. All costs of removal, transportation, labor, reinstallation or other costs including postage and/or shipping costs to obtain warranty service shall be paid by the customer.
7. Any liability for consequential or incidental damages, all of which are hereby expressly disclaimed, and implied warranties, including those of merchantability or fitness for purpose intended are specifically excluded. (Some jurisdictions do not allow limitations on how long an implied warranty lasts, or the exclusion or limitation of incidental or consequential damages, so these limitations and exclusions may not apply to you.)
8. Responsibility for compliance with local code requirements are excluded from this warranty. (Since local code requirements vary greatly, distributors, dealers, installation contractors, and users should determine whether there are any code restrictions on the installation or use of a specific product.)

This limited warranty gives you specific legal rights. You may have other statutory rights that vary from state to state or from province to province, in which case this limited warranty does not affect such statutory rights.

Limited Warranty Contact Information

For service under these limited warranties, it is suggested that a claim be made through the contractor or dealer from or through whom the product was purchased, or that a service request (including a description of the product model and of the defect) be sent to the following address:

United States:

Subzero Engineering
228 W 12300 S
Suite 108
Draper, UT 84020
Attention: Director of Consumer Affairs

For residents of the United States, warranty information may also be obtained by calling: (801) 810-3500

Pre-Assembly

Planning Assembly

Unpack all items and compare them to the Hardware Included and Package Contents lists. Lay all parts on a flat non-abrasive surface such as cardboard. If any item appears damaged or is missing, do not assemble and contact Subzero Engineering.

Tools Needed

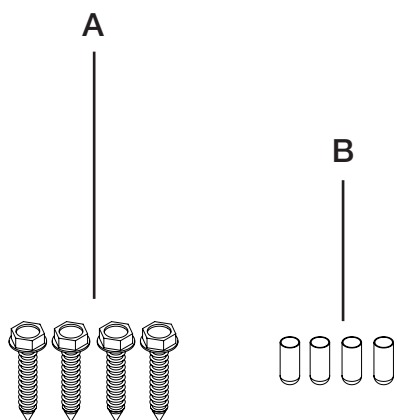
TOOLS REQUIRED
Powered Drill
5/16" Drive Socket
Tape Measure

NOTE It is recommended that at least two people assemble this product.

NOTE Hardware is not shown to scale. Threads on hardware may be shown as removed.

Hardware Included

ITEM	DESCRIPTION	QTY.
A	5/16" Head x 1" Self Tapping Screw	4
B	#8 Screw Thread Protector	4

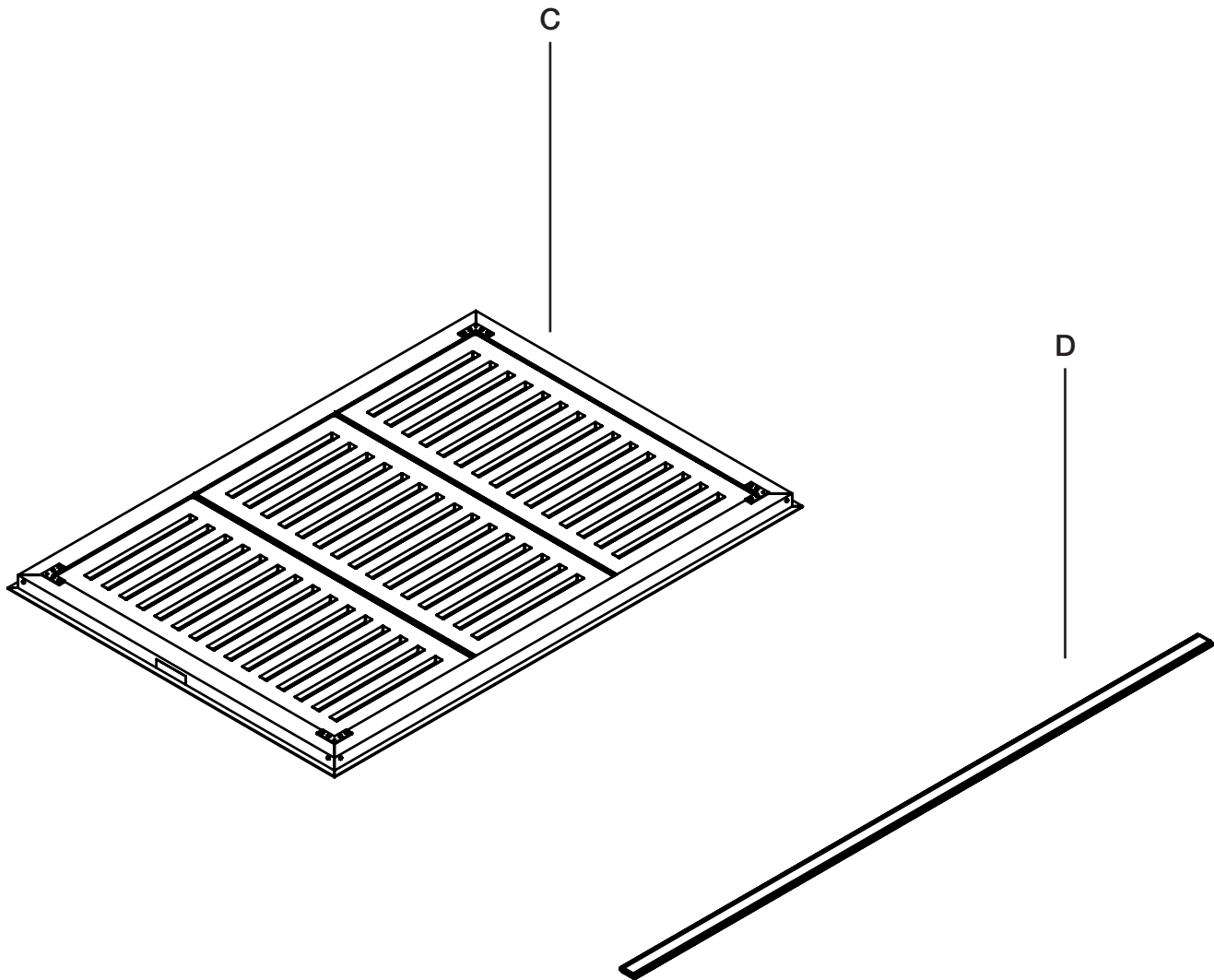


Package Contents

ITEM	DESCRIPTION	QTY.
C	Polar Roof Section	—
D	H Channel	—



Quantities vary based on the size of the roof.

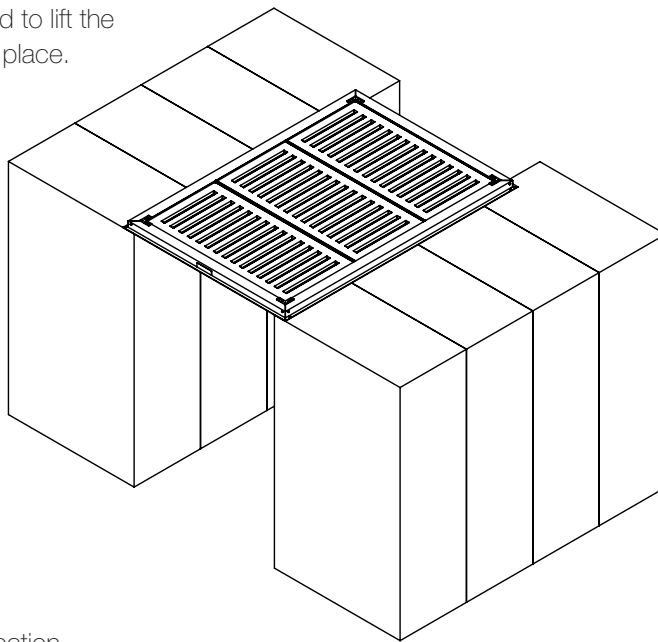


Assembly

1 – Lift the Polar Roof

NOTE

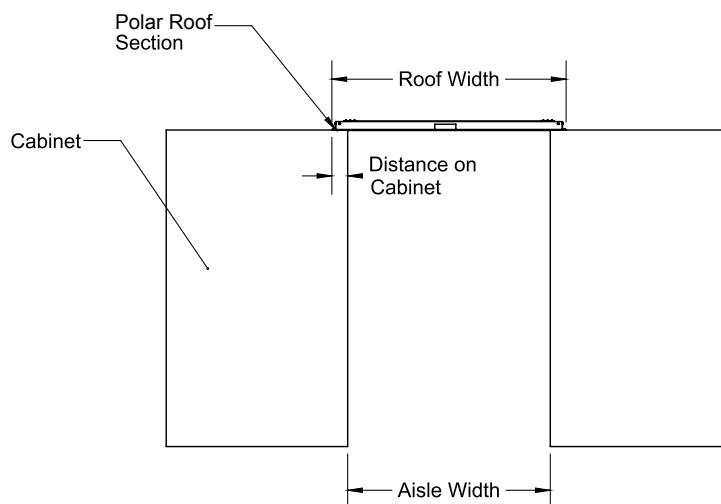
Two people are required to lift the Polar Roof section into place.



(1.1) Locate the Polar Roof section.

(1.2) Using two people, lift the Polar Roof section onto the cabinets.

2 – Position the Polar Roof

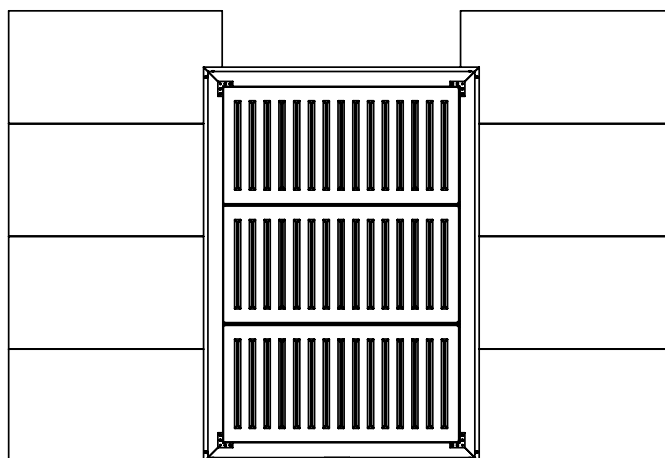


(2.1) Position the Polar Roof section in its desired location.

NOTE

The Polar Roof section needs to rest on each cabinet a minimum of 1" to be installed properly.

3 – Attach the Header

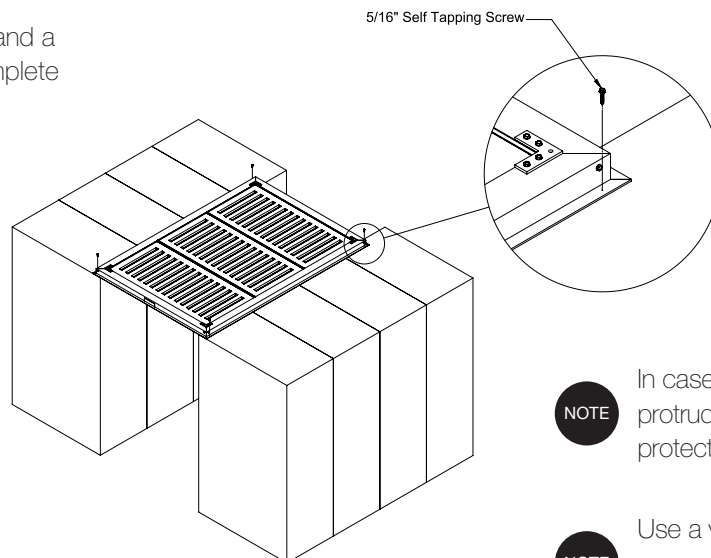


(3.1) Attach the header to the left and right frames.

4 – Secure the Polar Roof

NOTE

You will need a drill and a 5/16" socket to complete this step.



NOTE

In cases where the self tapping screw protrudes into a cabinet, use the screw protectors (Item B) to avoid an injury.

NOTE

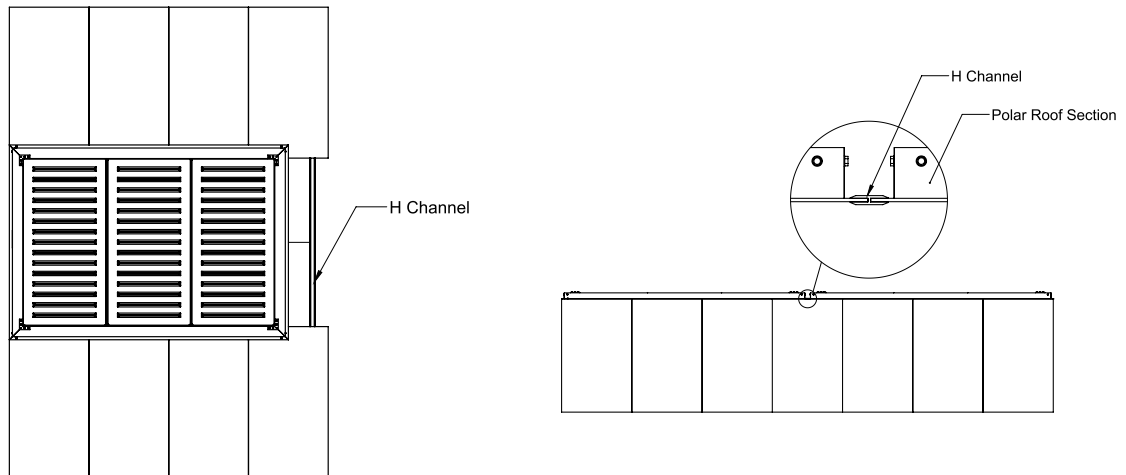
Use a vacuum while using self tapping screws to ensure that particulates do not enter server equipment.

(4.1) Using the 5/16" head self tapping screws (Item A), fasten the Polar Roof section down to the cabinet on each end.

5 – Add Additional Sections

NOTE

This step is only necessary if there is more than one Polar Roof section to be installed.



- (5.1)** Using the supplied H Channel (Item D), slide one of the channels over the edge of the Polar Roof.
- (5.2)** Using two people, lift the additional Polar Roof section onto the cabinets and into the other side of the H Channel.
- (5.3)** Repeat Steps 3, 4, and 5 to complete the installation of the product.

Cleaning

- Use a soft cloth, mild detergent, and water.
- Do not use any abrasive pads or materials.
- Do not use harsh solvents or thinners.

Design and specifications are subject to change without notice.

Proprietary Notice: The information contained in this user guide is the sole property of Subzero Engineering. Any reproduction in part, or as a whole without the written permission of Subzero Engineering is prohibited.

V 1-0_07/11/2017 © 2017 Subzero Engineering. All rights reserved.

For Sales and Installation, contact:

 **Data Clean**[®]

(800) 328-2256 • www.dataclean.com

