

KOLDLOK®



KoldLok® SplitLok™ Square Raised Floor Grommet

Part Number
5050

Applications

Designed to seal small openings in new or existing raised floor cutouts used for communications or power cabling. Based on measurements at multiple data centers, on average 48% of valuable conditioned air is not reaching the air intake of IT equipment due to unsealed floor openings. This lost air, known as bypass airflow, contributes to IT equipment hot spots, cooling unit inefficiencies, and increasing infrastructure costs. KoldLok® products specifically address bypass airflow and its detrimental effects on data center cooling.

Features

- Split frame
- Interlocking feature that fastens the two halves together
- Dry erase markable surface (non-permanent marker)
- New and improved finish quality
- Stronger material – better strength
- Easier installation
- Smooth polished surface



Benefits

- Increased ability to remove and replace tiles with edge cuts
- Reduced installation labor
- Ability to custom label grid location or cabinet identification
- Improved lifespan due to higher impact material
- Quick removal under low height cabinets due to interlocking design
- Easier to clean

Sealing Effectiveness

- Effective bypass airflow sealing in areas undisturbed by cable penetrations at static pressures up to 0.10 inches of water column
- Effective bypass airflow sealing with four, half-inch cables penetrating the grommet at a static pressure of 0.10 inches of water column

For Sales and Installation, contact:



(800) 328-2256 • www.dataclean.com

Specifications

Part Number	Description	Dimensions	Quantity per Carton	Shipping Weight
5050	Raised Floor Brush Grommet, SplitLok™, Square	7.50" x 7.39" x 1.64" (190.5 mm x 187.71 mm x 41.66 mm)	10	11 lbs.

Patented Sealing System

U.S. Patent No. RE41863 and International Patents Pending
Multi-layer, opposing and interwoven filaments consisting of:

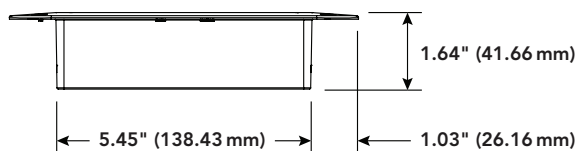
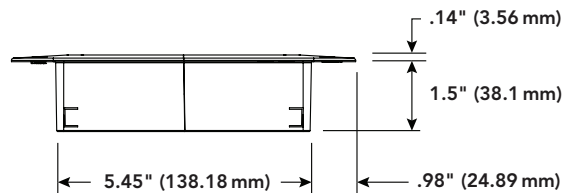
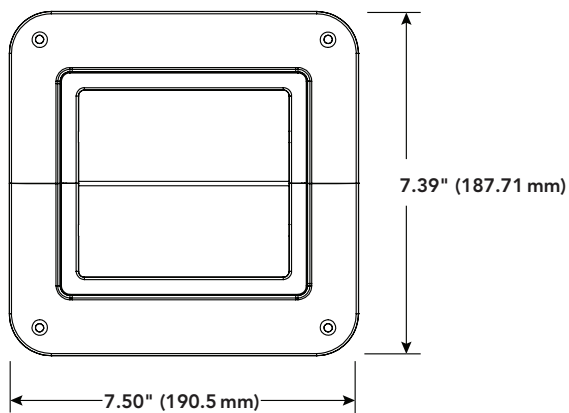
- 0.010 inch diameter upper filaments
- 0.020 inch diameter lower filaments
- Approximately 25,000 filaments per Grommet
- Ensure passage of 100 amp power connectors

Floor Mounting System

Four (4) self-drilling screws are provided for installation

Grommet Frame

The SplitLok™ Integral Raised Floor Grommet frame is molded from durable ABS plastic and consists of two interlocking halves. The SplitLok™ grommet also features a black smooth polished finish with full color artwork and a markable surface.



Designer and Manufacturer
888.982.7800
www.upsite.com

For Sales and Installation, contact:



(800) 328-2256 • www.dataclean.com